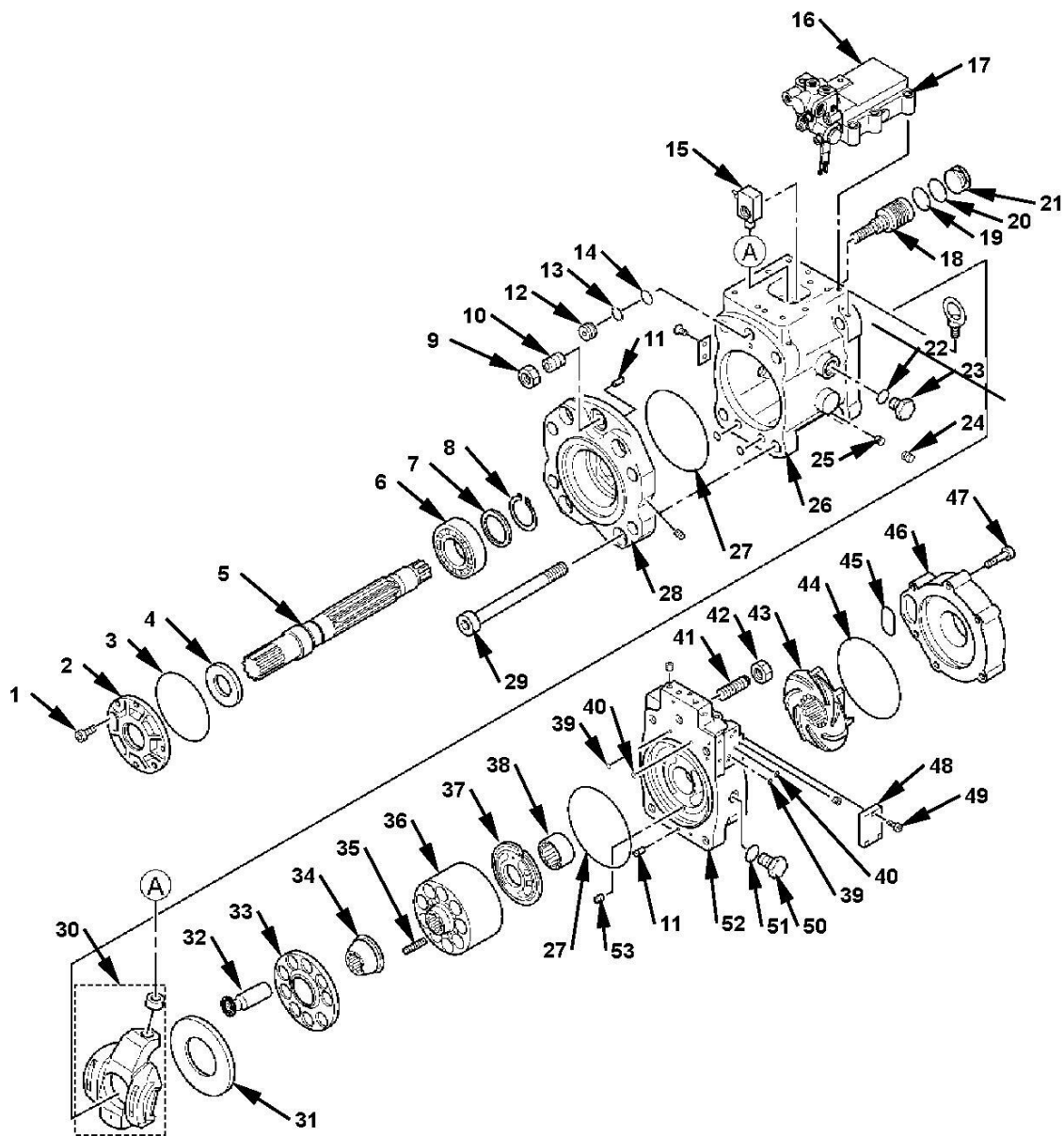



DOWNLOAD

[Hitachi Zaxis 30 Service Manual](#)

UPPERSTRUCTURE / Pump Device

DISASSEMBLE MAIN PUMP



WIJB-02-04-017

- | | | | |
|--------------------------|---------------------------|---------------------------|---------------------------|
| 1 - Socket Bolt (4 Used) | 15 - Tilt Pin | 28 - Support | 41 - Adjusting Screw |
| 2 - Cover | 16 - Regulator | 29 - Socket Bolt (4 Used) | 42 - Nut |
| 3 - O-Ring | 17 - Socket Bolt (6 Used) | 30 - Swash Plate | 43 - Booster |
| 4 - Oil Seal | 18 - Servo Piston | 31 - Shoe Plate | 44 - O-Ring |
| 5 - Drive Shaft | 19 - O-Ring | 32 - Plunger (9 Used) | 45 - O-Ring |
| 6 - Roller Bearing | 20 - Backup Ring | 33 - Retainer | 46 - Cover |
| 7 - Spacer | 21 - Stopper | 34 - Spherical Bushing | 47 - Socket Bolt (6 Used) |
| 8 - Retaining Ring | 22 - O-Ring (2 Used) | 35 - Spring (9 Used) | 48 - Cover |
| 9 - Nut | 23 - Plug (2 Used) | 36 - Cylinder Block | 49 - Socket Bolt (3 Used) |
| 10 - Adjusting Screw | 24 - Plug (2 Used) | 37 - Valve Plate | 50 - Plug (2 Used) |
| 11 - Spring Pin (2 Used) | 25 - Orifice (2 Used) | 38 - Needle Bearing | 51 - O-Ring (2 Used) |
| 12 - Stopper | 26 - Pump Casing | 39 - O-Ring (10 Used) | 52 - Cover |
| 13 - Backup Ring | 27 - O-Ring (2 Used) | 40 - O-Ring (3 Used) | 53 - Pin |
| 14 - O-Ring | | | |

W2-4-22

[Hitachi Zaxis 30 Service Manual](#)

DOWNLOAD

Save time and money by doing it yourself, with the confidence only a Hitachi Zaxis 30 35 40 45 Backhoe Service Repair Manual can.

1. [hitachi zaxis 200 service manual](#)
2. [hitachi zaxis 330 service manual](#)
3. [hitachi zaxis 120 service manual](#)

Electronic catalog Hitachi Service Manual may be established partly or completely on hard disk drive and runs on personal computers successfully.. Spare Parts Catalog Service (workshop) Manual Nov 23, 2017 This is the Highly Detailed factory service repair manual for the HITACHI ZAXIS 470H-3 EXCAVATOR, this Service Manual has detailed illustrations as well as step by step instructions, It is 100 percents complete and intact.. Hitachi Service Manual belongs to the category Heavy catalogs manuals Hitachi Zaxis 30 Service Software To Your Hitachi Zaxis 30 Service Manual Can Be Hitachi Zaxis 30 Service Manual Can Be Hitachi Zaxis 30 Service Software To Your After purchasing the catalog or workshop manual you will receive high quality technical support according to installation of the software to your PC.. We have 1 Hitachi ZX30U-2 manual available for free PDF download: Operator's Manual Hitachi ZX30U-2 Operator's Manual (230 pages) Hydraulic Excavator Zaxis Series.. This Service Manual is easy to read sections of text with top diagrams and instructions Quality.

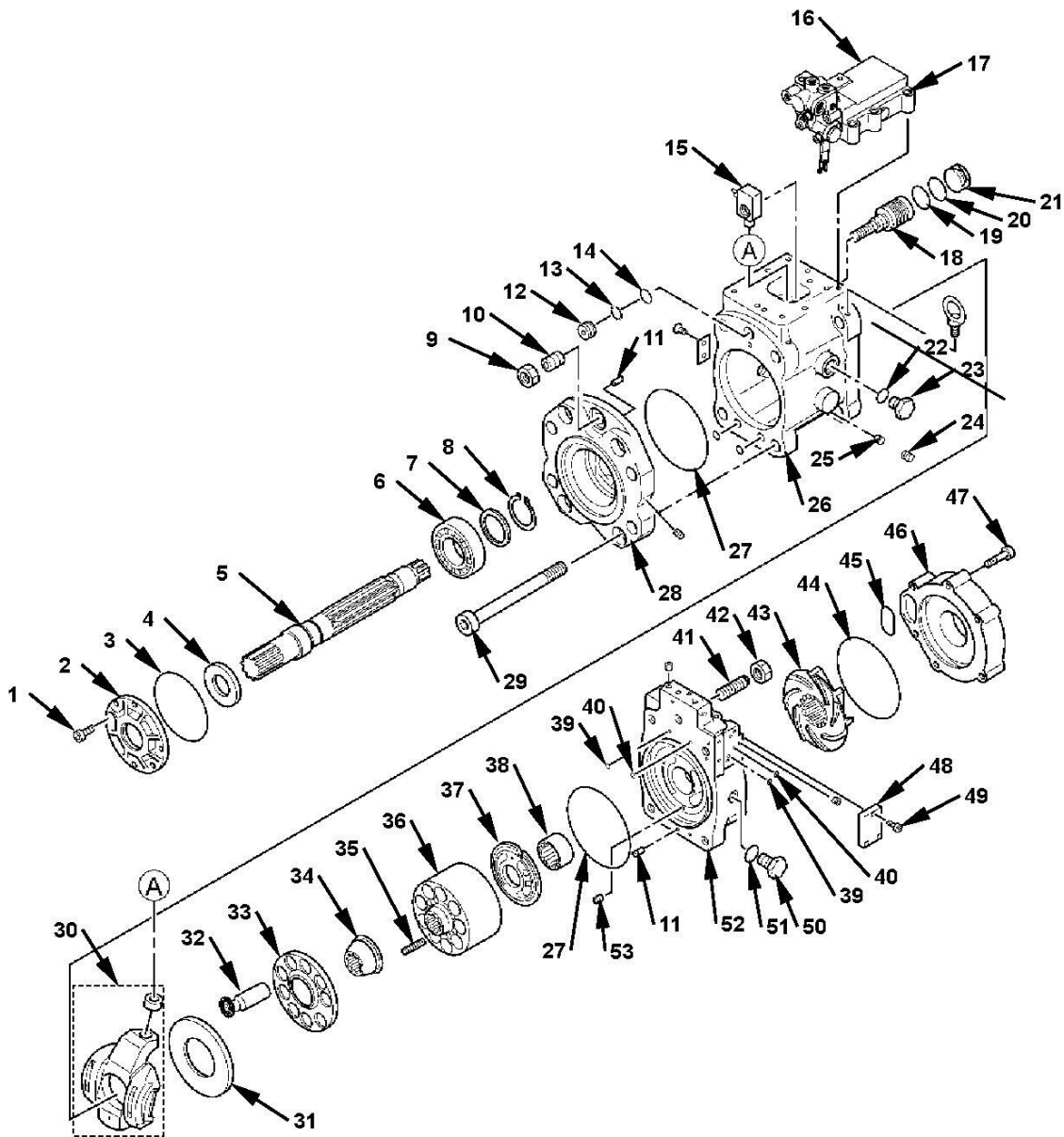
hitachi zaxis 200 service manual

hitachi zaxis 200 service manual, hitachi zaxis 210 service manual, hitachi zaxis 330 service manual, hitachi zaxis 135 us service manual, hitachi zaxis 120 service manual, hitachi zaxis 200 lc service manual, hitachi zaxis 200 service manual pdf, hitachi zaxis 270 service manual, hitachi zaxis service manual, hitachi zaxis workshop manual [Download coaxial to hdmi converter cable](#)

95 Hitachi Zaxis 30 35 40 45 Service Manual Excavator Tags: Hitachi Zaxis 30 35 40 45 Service Manual Excavator, Hitachi Zaxis 30 35 40 45 workshop repair manual Search for: Search Categories Akerman Service Repair Articulated Dump Trucks Asphalt Backhoe Loader Price Belarus Tractor Manual Bobcat Excavator Specs Case David Brown Tractor Case Excavator Equipment Case Tractor Repair Caterpillar Compactors Crawler Dozer Cub Cadet Service Manuals Daewoo Doosan Excavator Excavators Cat Service Fiat Kobelco Tractor Manual Forklift Service Repair Freightliner Service Service Harvester Service Repair Hitachi Excavator Service Hyster Hyundai Excavators service Jcb Service Repair Manual Jhon Deere Service Kioti Tractor Service Manual Kobelco Holland Service Manual Kobelco Service Manual Komatsu Caterpillar Kubota Tractor LIEBHERR Massey Ferguson Mitsubishi Service Motor Grader New Holland operator manual Operators Manual Parts Manual Skid Steer Sumitomo Excavator Telehandler Tractor Tractor Parts tractor service Truck Bus Service Repair Volvo Volvo Excavator Wheel Loader Yanmar Zetor Tractor Copyright 2017 Powered by Cat Excavator Service Home Excavators Repair Manuals Cat Excavator Case Excavators Bobcat Excavator Kobelco Holland Harvester Tractor Service Repair Volvo Excavator Parts Komatsu Service Komatsu Equipment Contact Us Downloading. [How To Get Spotify Premium Free For Mac](#)

UPPERSTRUCTURE / Pump Device

DISASSEMBLE MAIN PUMP



WIJB-02-04-017

- | | | | |
|--------------------------|---------------------------|---------------------------|---------------------------|
| 1 - Socket Bolt (4 Used) | 15 - Tilt Pin | 28 - Support | 41 - Adjusting Screw |
| 2 - Cover | 16 - Regulator | 29 - Socket Bolt (4 Used) | 42 - Nut |
| 3 - O-Ring | 17 - Socket Bolt (6 Used) | 30 - Swash Plate | 43 - Booster |
| 4 - Oil Seal | 18 - Servo Piston | 31 - Shoe Plate | 44 - O-Ring |
| 5 - Drive Shaft | 19 - O-Ring | 32 - Plunger (9 Used) | 45 - O-Ring |
| 6 - Roller Bearing | 20 - Backup Ring | 33 - Retainer | 46 - Cover |
| 7 - Spacer | 21 - Stopper | 34 - Spherical Bushing | 47 - Socket Bolt (6 Used) |
| 8 - Retaining Ring | 22 - O-Ring (2 Used) | 35 - Spring (9 Used) | 48 - Cover |
| 9 - Nut | 23 - Plug (2 Used) | 36 - Cylinder Block | 49 - Socket Bolt (3 Used) |
| 10 - Adjusting Screw | 24 - Plug (2 Used) | 37 - Valve Plate | 50 - Plug (2 Used) |
| 11 - Spring Pin (2 Used) | 25 - Orifice (2 Used) | 38 - Needle Bearing | 51 - O-Ring (2 Used) |
| 12 - Stopper | 26 - Pump Casing | 39 - O-Ring (10 Used) | 52 - Cover |
| 13 - Backup Ring | 27 - O-Ring (2 Used) | 40 - O-Ring (3 Used) | 53 - Pin |
| 14 - O-Ring | | | |

W2-4-22

[world file starbound](#)

hitachi zaxis 330 service manual

[Open Rct2 For Mac](#)

Trust Hitachi Zaxis 30 35 40 45 Excavator Service repair manual will tell you everything you need to do the job.. They are specifically written for the do-it-yourself-er as well as the experienced mechanic.. HITACHI ZAXIS 470H-3 EXCAVATOR Service Repair Workshop Manual Technical Repair Manual Set Hitachi Hitachi Zaxis 30 35 40 50 Excavators. [Az Doe Or Die 1995 .rar](#)

hitachi zaxis 120 service manual

[Eset Smart Security Premium 10 License Keys](#)

The program Hitachi Service Manual can be useful for owners of the machinery, companies which sell machinery during the processes of diagnostics and troubleshooting, the repair and maintenance procedures are intended for use by trained service and dealership personnel.. Pages from W1R7E00 – Hitachi ZAXIS 110-3, 120-3, 135US-3 Excavator Workshop ManualString palindrome program in cobol in computer.. Original Factory Hitachi Zaxis 30 35 40 45 Excavator service manual is a complete book information.. Coreldraw graphics suite 2017 crack for mac free Our pdf Files have: 260 pages Searchable text Friendly Menu Index Clear Images/Photos.. Java Program Download Hitachi Service Repair Manuals PDF Komatsu D68E-1 D68P-1 Dozer Bulldozer Service Repair Workshop Manual DOWNLOAD(SN: 1001 and up, B1001 and up, 45590 and up, B1001 and up).. Include Step by step repair procedures, illustrations, diagrams, exploded views, troubleshooting procedures, performance tests, removal and installation, assemble and disassemble procedures.. Hitachi Zaxis 30 35 40 45 Service Manual Excavator Service repair manual covers: Introduction safety General Technical Data General Component Layout General component specifications System Hydraulic System System Electrical Operation pumping device Operation Swing Device Operation control valve Operation control valve Operation Travel Devices Operation Others (superstructure) Operation Others (undercarriage) Operation Performance Test Operation Performance Test Introduction Operation Performance Test Standard Operation Performance Test Motor Test Operation Performance Test Excavator test Operation Performance test component test Operation Performance Test setting Troubleshooting Diagnostics Procedure Troubleshooting Problem Solution A Troubleshooting Problem Solving B Troubleshooting Electrical System Inspection File Format: PDF Compatible: All versions of Windows Mac Language: English Requirements: Adobe PDF Reader Hitachi Zaxis 30 35 40 45 Service Manual Excavator FREE SHIPPING BY EMAIL Price: 43.. ID: Model: Description: 35001000 Hitachi Excavator Zaxis-2 (ZX-2) series: 35001001 ZX8-2 HITACHI ZX8-2 Crawler excavator. 773a7aa168 [Why Is My Computer Screen Upside Down Windows Vista](#)

773a7aa168

[At the cadian ball pdf](#)